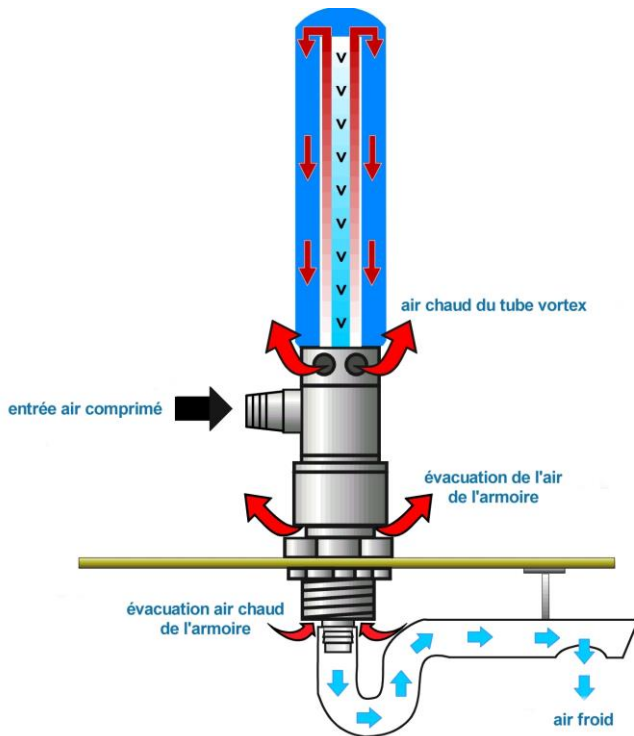


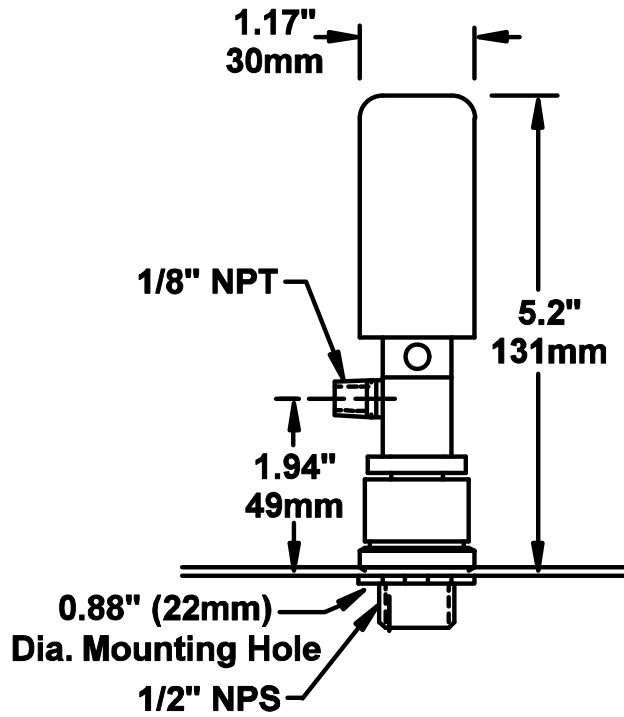


Description

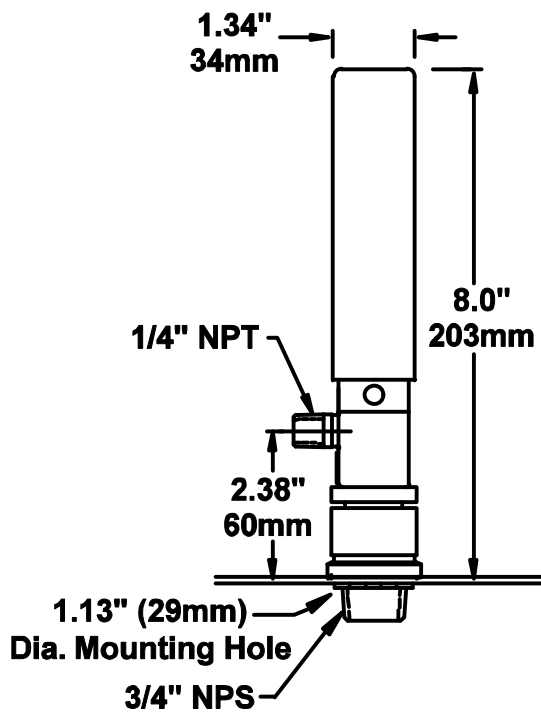
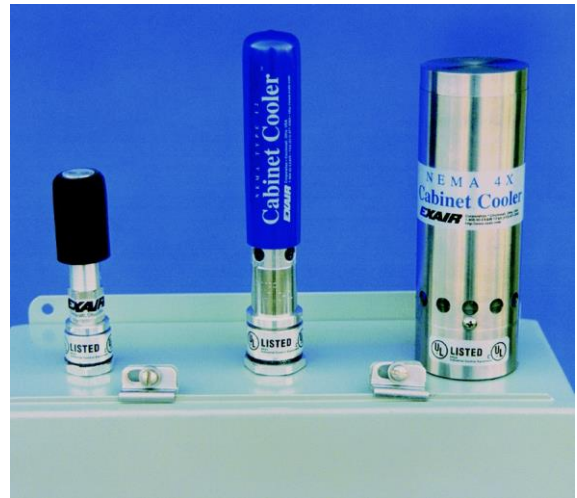
The EXAIR cabinet cooler is an economical and reliable way to cool and purge electronic control panels. The EXAIR cabinet cooler consists of a vortex tube that produces cold air from compressed air. The cabinet cooler installs in minutes. IP54 cabinet coolers that go with the IP54 cabinet compliances are available in several capacities for small and large control cabinets. The vortex tube incorporated into the EXAIR cabinet cooler is made of stainless steel, thus resisting oxidation, corrosion and wear, and ensuring a long, maintenance-free life. All EXAIR cabinet coolers meet UL standards.



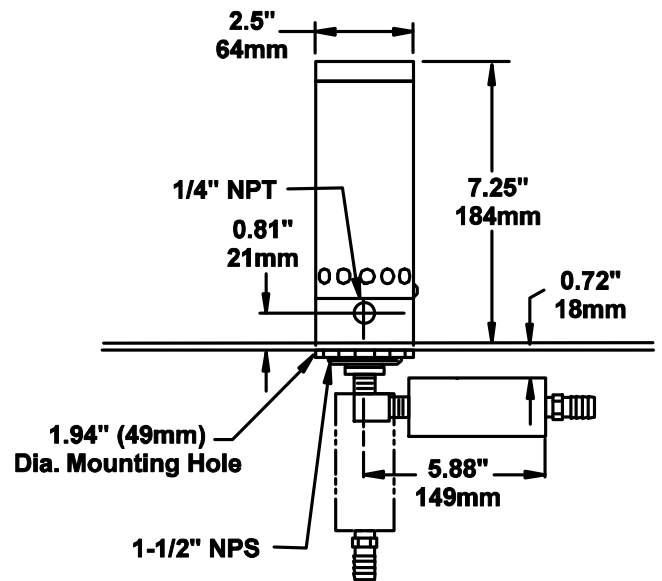
Variants



type 4208 nema12



type 4225 nema12



type 4725/30 nema 4x en acier inox

Technical informations

Mounting		Zone 2
Protection EEx		II 3 G, EEx nAC [P] IIC T6 -20°C < T _A < 40°C II 3 G, EEx nAC [P] IIC T5 -20°C < T _A < 60° Ex nAC [pz] IIC T6 -20°C < T _A < 40°C Ex nAC [pz] IIC T5 -20°C < T _A < 60°C
CE Certificate		TÜV 03 ATEX 2095 X
T° ambiante		-20°C ...+40°C à T6 -20°C ...+60°C à T5
Housing	Dimensions	H x W x D: 120 mm x 122 mm x 90 mm
	Materials	Aluminum, epoxy painting, RAL 7035
	Protection	IP65 (ignoring the purge opening)
Specifications	Alimentation	AC: 230V, 115V 48 ..62 Hz DC: 24V
	Consommation	2 VA, without solenoid valve
	Relay contact	terminal 1-4 free of potential U _m = 250VAC, I _m = 5A à AC1, P _m = 1500VA U _m = 250VAC, I _m = 1,2A à AC15 P _m = 300VA U _m = 30V DC; I _m = 4A à DC1, P _m = 150W
	Solenoid valve	Terminals 5/6
	Diam. max wire	2,5 mm ²
Pneumatic	Pressure range	0 ... 22 mbar

The output voltage is equal to the input voltage, protected by fuse